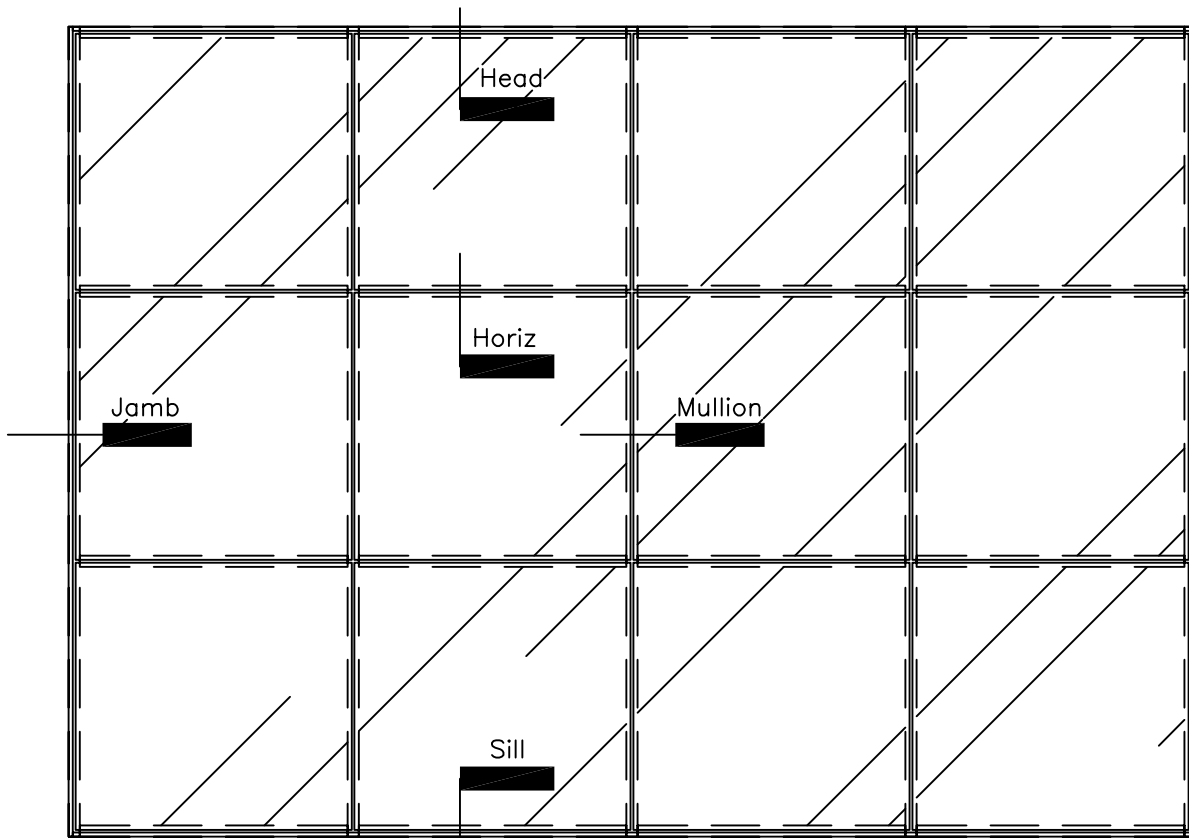
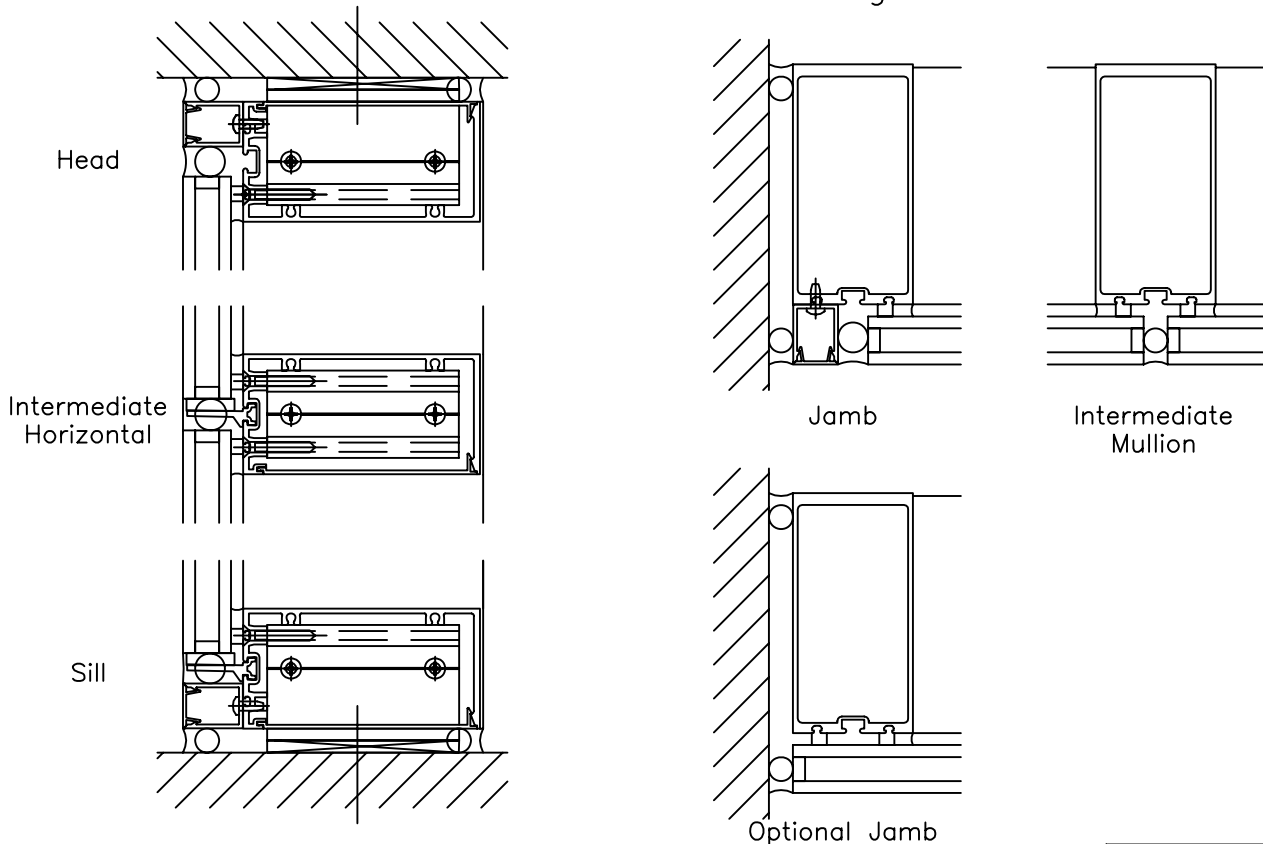


# Series 2550 - 4 Sided Structural Glazing System

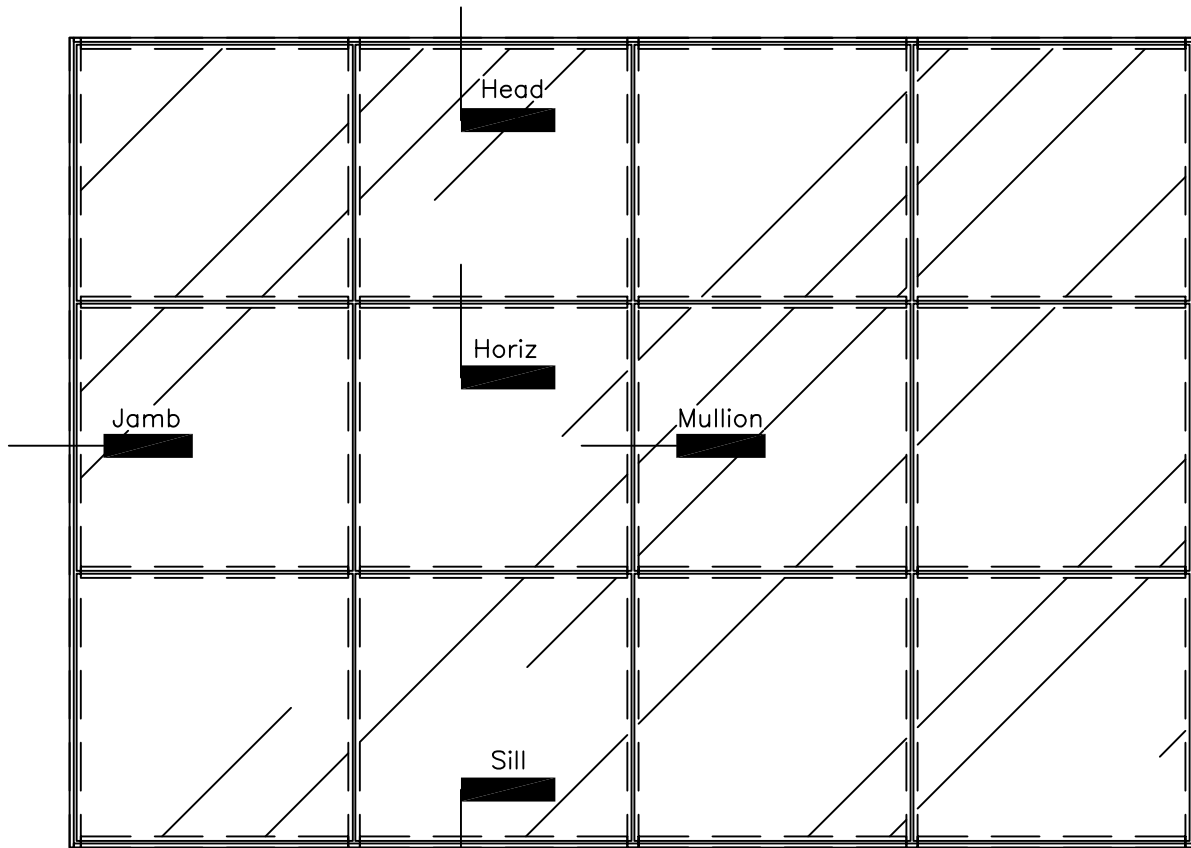


Typical Elevation  
1" Insulated Glazing

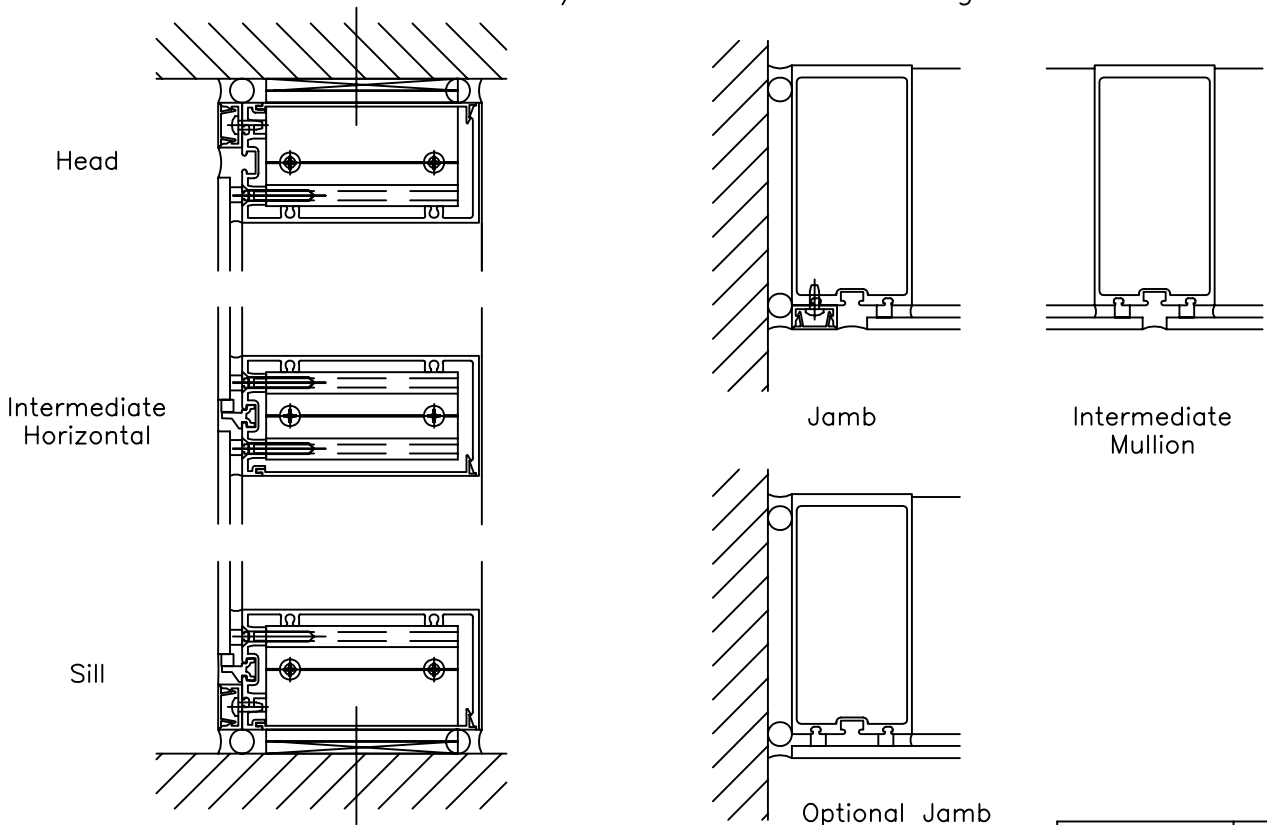


Details 1/4"=1"

# Series 2550 – 4 Sided Structural Glazing System



Typical Elevation  
1/4" Monolithic Glazing



Details 1/4"=1"